



**Astronautics** Corporation of America

**AI  
&  
ADI**

**ATTITUDE INDICATORS &  
ATTITUDE DIRECTOR INDICATORS**



The Attitude Indicators (AI) and Attitude Director Indicators (ADI) of Astronautics Corporation of America provide the pilot with pitch and roll attitude (2-axis) display or pitch, roll and azimuth (3-axis) display.

Added functions are provided in various combinations such as rate of turn and slip indicators, glideslope and localizer pointers, warning flags and command steering bars to provide flight director or other computer steering information. Basic inputs to the instruments are obtained from the external gyros, radio receivers, flight director or navigation/weapon delivery computers.

Astronautics manufactures over 50 different types of AIs and ADIs. These indicators are available in 3, 4, 5 and 6 inch sizes with either two or three axis and are flying on military and commercial aircraft, including those listed below.

The ADI is available as an independent instrument or as part of an Astronautics flight director system consisting of an ADI, flight director computer and a horizontal situation indicator.

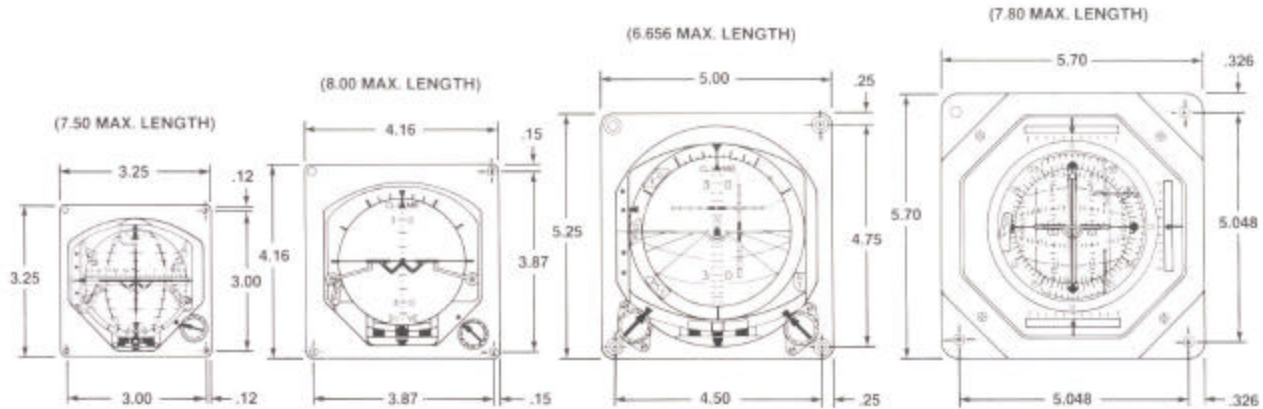
# Attitude Indicators & Attitude Director Indicators

## Major features:

- Low power DC servo loops
- 360 degree roll, pitch and azimuth display capabilities
- Expanded scale pitch displays
- Manual roll and pitch trim
- Localizer pointer
- Flight director command bars
- Collective pitch command bars
- Glide slope pointers and flag
- Integral slip indicators
- Integral rate of turn pointer
- Mode annunciators
- Rising runway presentation
- Special spheroid markings and colors
- Integral electronic buffers for low level signal inputs
- Internal lighting-5V, 28V Military Spec. white, red or green
- Night vision goggle compatibility (GEN III)
- Built-in test (BIT) circuitry

ACA Part Number	3 Inch				4 Inch				5 Inch				6 Inch	
	135070	126020	137100-3	117410	128680	112790-1	131070	135160	113540	126300	129060	113150	125780	137490-1
Glide Slope Pointer & Flag	*	*	*	*	*	*	*	*	*	*	*	*	*	*
Localizer Pointer	*	*	*	*	*	*	*	*	*	*	*	*	*	*
Rate of Turn	*	*	*	*	*	*	*	*	*	*	*	*	*	*
Inclinometer	*	*	*	*	*	*	*	*	*	*	*	*	*	*
Flight Director Bars			*	*	*	*	*	*	*	*	*	*	*	*
Azimuth Display			*	*	*	*	*	*	*	*	*	*	*	*
Roll & Pitch Trim	P*	*	P*	*	*	P*	*	P*	*	*	*	*	*	*
Built-in Test	*	*	*	*	*	*	*	*	*	*	*	*	*	*
Sphere Color	BLU BRN	GRY BLK	BLU BRN	BLU BRN	GRY BLK	GRY BLK	GRY BLK	GRY BLK	BLU BLK	BLU BLK	GRY BLK	GRY BLK	GRY BLK	GRY BLK
R - Red W - White Integral Lighting	W	R	W	W	W	W	R	W	R <sub>W</sub>	W	W	R	R <sub>W</sub>	
Collective Command							*	*			*	*	*	*
Doppler Velocity Bars										*	*	*	*	*
Weight (Lbs.)	4.0	2.6	4.0	4.0	5.0	5.0	5.0	8.0	7.5	6.5	5.9	7.4	5.25	7.7

\*P - Pitch Trim Only



FOR MORE INFORMATION ON THIS OR ANY OF OUR OTHER PRODUCTS/SYSTEMS PLEASE CONTACT:  
**ASTRONAUTICS MARKETING**, Phone: (414) 449-4000, Fax: (414) 447-8231, E-mail: [busdev@astronautics.com](mailto:busdev@astronautics.com)  
 OR VISIT OUR WEBSITE [www.astronautics.com](http://www.astronautics.com)

**A World Leader in Navigation and Display Systems since 1959**

Astronautics Corporation of America • 4115 N. Teutonia Avenue • Milwaukee, WI 53209 USA